



BHTS ZZ GR CG 350°

### **Ball Bearings for Extreme Temperature**

The BHTS ZZ GR CG 350° ball bearings are designed on the dimensions of a standard bearing but with treatments of stabilization, surface treatment, radial clearance and a special full complement cage made from graphite, which make them suitable for operation from -50° to +350°C. Their recommended range of application is only between 280° and 350°C. The main feature of these bearings is to work in total absence of any kind of grease because the lubrication is directly from the graphite cage, which makes them "green" through lack of operating any type of issue could harm environment.

#### **Technical characteristics:**

Bearing material: steel AISI 52100 (Chrome) stabilized to the application  
Treatment of manganese phosphate coating on all steel parts of the bearing  
Radial Clearance 4xC5  
Shields type ZZ  
In one piece graphite cage (coronet cage)

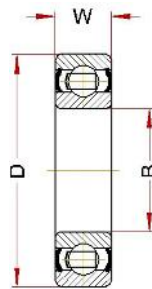
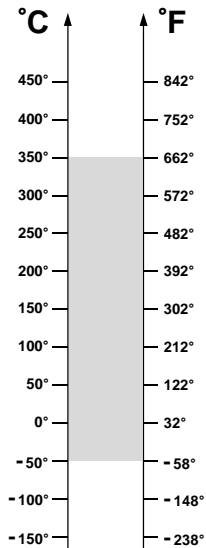
#### **Fields of application:**

Paint Ovens  
Steel industry  
Furnaces for Ceramic Industry  
Trolley Industry, Trolley for Brick Kilns Industry



# BHTS ZZ GR CG 350° (6000 Serie)

## Ball Bearings for Extreme Temperature



OPERATING RANGE: -50° / 350°C

ECONOMIC OPERATING RANGE: 250° / 350°C

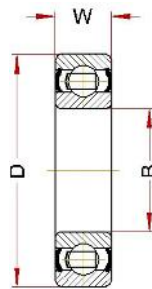
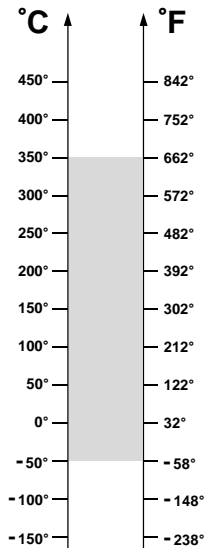
Designation	Bore (B)	Diam (D)	Width (W)	Weight, g	Limiting Speed, RPM	Static Load, kN at 350°C	Static Load, kN at 20°C
6000 BHTS ZZ GR CG 350°	10	26	8	20	90	1,35	1,96
6001 BHTS ZZ GR CG 350°	12	28	8	25	85	1,63	2,36
6002 BHTS ZZ GR CG 350°	15	32	9	30	80	1,97	2,85
6003 BHTS ZZ GR CG 350°	17	35	10	40	75	2,24	3,25
6004 BHTS ZZ GR CG 350°	20	42	12	69	70	3,45	5,00
6005 BHTS ZZ GR CG 350°	25	47	12	80	65	4,03	5,85
6006 BHTS ZZ GR CG 350°	30	55	13	120	60	5,52	8,00
6007 BHTS ZZ GR CG 350°	35	62	14	160	55	7,17	10,4
6008 BHTS ZZ GR CG 350°	40	68	15	190	50	8,14	11,8
6009 BHTS ZZ GR CG 350°	45	75	16	250	45	9,86	14,3
6010 BHTS ZZ GR CG 350°	50	80	16	260	40	10,76	15,6
6011 BHTS ZZ GR CG 350°	55	90	18	390	40	14,62	21,2
6012 BHTS ZZ GR CG 350°	60	95	18	420	40	16,00	23,2
6013 BHTS ZZ GR CG 350°	65	100	18	440	40	17,24	25,0
6014 BHTS ZZ GR CG 350°	70	110	20	600	40	21,72	31,5
6015 BHTS ZZ GR CG 350°	75	115	20	640	40	23,45	34,0

**OPERATING RANGE** is the correct technical range in which can be used the bearing with good operating result.

**ECONOMIC OPERATING RANGE** is the range of temperature in which you can find, according to our study experience and know-how, the better relation price - quality life-time.

# BHTS ZZ GR CG 350° (6200 Serie)

## Ball Bearings for Extreme Temperature



OPERATING RANGE: -50° / 350°C

ECONOMIC OPERATING RANGE: 250° / 350°C

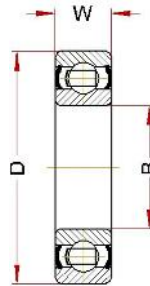
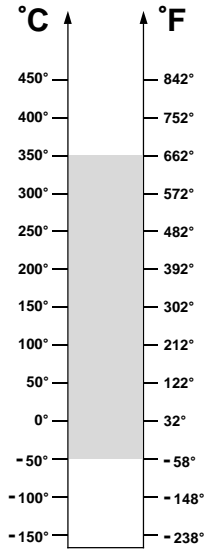
Designation	Bore (B)	Diam (D)	Width (W)	Weight, g	Limiting Speed, RPM	Static Load, kN at 350°C	Static Load, kN at 20°C
6200 BHTS ZZ GR CG 350°	10	30	9	30	90	1,79	2,60
6201 BHTS ZZ GR CG 350°	12	32	10	37	85	2,14	3,10
6202 BHTS ZZ GR CG 350°	15	35	11	45	80	2,59	3,75
6203 BHTS ZZ GR CG 350°	17	40	12	65	75	3,27	4,75
6204 BHTS ZZ GR CG 350°	20	47	14	110	70	4,52	6,55
6205 BHTS ZZ GR CG 350°	25	52	15	130	65	5,52	8,00
6206 BHTS ZZ GR CG 350°	30	62	16	200	60	7,72	11,2
6207 BHTS ZZ GR CG 350°	35	72	17	290	55	10,55	15,3
6208 BHTS ZZ GR CG 350°	40	80	18	370	50	12,41	18,0
6209 BHTS ZZ GR CG 350°	45	85	19	410	45	14,06	20,4
6210 BHTS ZZ GR CG 350°	50	90	20	460	40	16,55	24,0
6211 BHTS ZZ GR CG 350°	55	100	21	610	40	20,00	29,0
6212 BHTS ZZ GR CG 350°	60	110	22	780	40	24,83	36,0
6213 BHTS ZZ GR CG 350°	65	120	23	990	40	28,62	41,5
6214 BHTS ZZ GR CG 350°	70	125	24	1040	40	30,34	44,0
6215 BHTS ZZ GR CG 350°	75	130	25	1210	40	33,79	49,0

**OPERATING RANGE** is the correct technical range in which can be used the bearing with good operating result.

**ECONOMIC OPERATING RANGE** is the range of temperature in which you can find, according to our study experience and know-how, the better relation price - quality life-time.

# BHTS ZZ GR CG 350° (6300 Serie)

## Ball Bearings for Extreme Temperature



OPERATING RANGE: -50° / 350°C

ECONOMIC OPERATING RANGE: 250° / 350°C

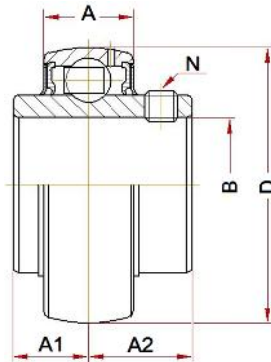
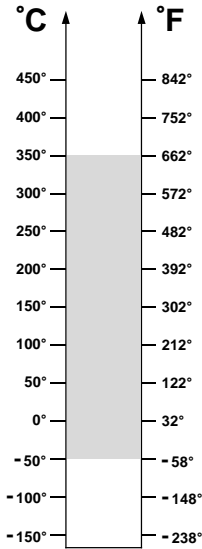
Designation	Bore (B)	Diam (D)	Width (W)	Weight, g	Limiting Speed, RPM	Static Load, kN at 350°C	Static Load, kN at 20°C
6300 BHTS ZZ GR CG 350°	10	35	11	52	90	2,38	3,45
6301 BHTS ZZ GR CG 350°	12	37	12	60	85	2,86	4,15
6302 BHTS ZZ GR CG 350°	15	42	13	80	80	3,72	5,40
6303 BHTS ZZ GR CG 350°	17	47	14	120	75	4,52	6,55
6304 BHTS ZZ GR CG 350°	20	52	15	140	70	5,86	8,50
6305 BHTS ZZ GR CG 350°	25	62	17	225	65	7,86	11,4
6306 BHTS ZZ GR CG 350°	30	72	19	350	60	11,24	16,3
6307 BHTS ZZ GR CG 350°	35	80	21	450	55	13,10	19,0
6308 BHTS ZZ GR CG 350°	40	90	23	620	50	17,24	25,0
6309 BHTS ZZ GR CG 350°	45	100	25	830	45	22,06	32,0
6310 BHTS ZZ GR CG 350°	50	110	27	1050	40	26,20	38,0
6311 BHTS ZZ GR CG 350°	55	120	29	1350	40	32,76	47,5
6312 BHTS ZZ GR CG 350°	60	130	31	1700	40	35,86	52,0
6313 BHTS ZZ GR CG 350°	65	140	33	2100	40	41,38	60,0
6314 BHTS ZZ GR CG 350°	70	150	35	2500	40	46,90	68,0
6315 BHTS ZZ GR CG 350°	75	160	37	3000	40	52,76	76,5

**OPERATING RANGE** is the correct technical range in which can be used the bearing with good operating result.

**ECONOMIC OPERATING RANGE** is the range of temperature in which you can find, according to our study experience and know-how, the better relation price - quality life-time.

# BHTS ZZ GR CG 350° (UC Serie)

## Insert Bearings for Extreme Temperature



OPERATING RANGE: -50° / 350°C

ECONOMIC OPERATING RANGE: 250° / 350°C

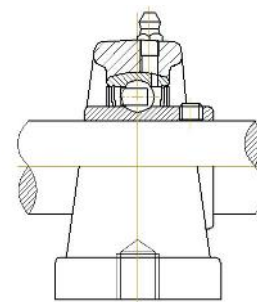
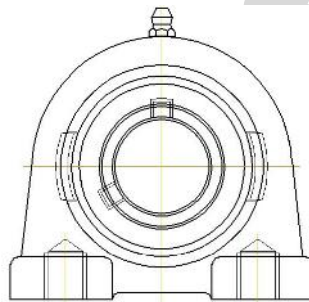
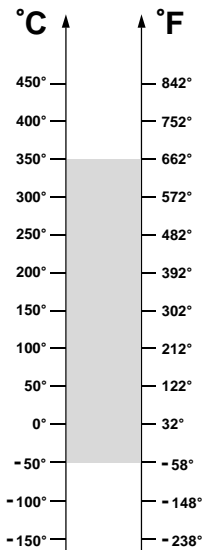
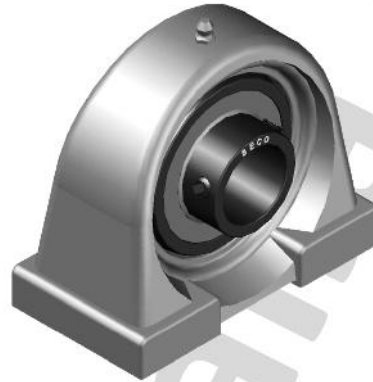
Designation	Bore (B)	Diam (D)	A	A1	A2	N	Weight, g	Limiting Speed, RPM	Static Load, kN at 350°C	Static Load, kN at 20°C
UC 201 BHTS ZZ GR CG 350°	12	47	13 ± 2	11,5	15,9	M6x0,75	200	85	4,55	6,6
UC 202 BHTS ZZ GR CG 350°	15	47	13 ± 2	11,5	15,9	M6x0,75	200	80	4,55	6,6
UC 203 BHTS ZZ GR CG 350°	17	47	13 ± 2	11,5	15,9	M6x0,75	200	75	4,55	6,6
UC 204 BHTS ZZ GR CG 350°	20	47	15 ± 2	12,7	18,3	M6x0,75	250	70	4,55	6,6
UC 205 BHTS ZZ GR CG 350°	25	52	16 ± 1	14,3	19,8	M6x0,75	300	65	5,39	7,8
UC 206 BHTS ZZ GR CG 350°	30	62	17 ± 2	15,9	22,2	M6x0,75	350	60	7,72	11,2
UC 207 BHTS ZZ GR CG 350°	35	72	18 ± 2	17,5	25,4	M8x1,00	500	55	10,4	15,1
UC 208 BHTS ZZ GR CG 350°	40	80	19 ± 2	19,0	30,2	M8x1,00	700	50	12,6	18,2
UC 209 BHTS ZZ GR CG 350°	45	85	20 ± 2	19,0	30,2	M8x1,00	800	45	14,2	20,6
UC 210 BHTS ZZ GR CG 350°	50	90	22 ± 2	19,0	32,6	M10x1,25	900	40	15,9	23,1
UC 211 BHTS ZZ GR CG 350°	55	100	23 ± 2	22,2	33,4	M10x1,25	1300	40	20,0	29,0
UC 212 BHTS ZZ GR CG 350°	60	110	24 ± 3	25,4	39,7	M10x1,25	1700	40	22,5	32,6
UC 213 BHTS ZZ GR CG 350°	65	120	27 ± 5	25,4	39,7	M10x1,25	1900	40	27,4	39,8
UC 214 BHTS ZZ GR CG 350°	70	125	28 ± 5	30,2	44,4	M12x1,50	2100	40	30,8	44,7
UC 215 BHTS ZZ GR CG 350°	75	130	29 ± 5	33,3	44,5	M12x1,50	2200	40	33,9	49,2

**OPERATING RANGE** is the correct technical range in which can be used the bearing with good operating result.

**ECONOMIC OPERATING RANGE** is the range of temperature in which you can find, according to our study experience and know-how, the better relation price - quality life-time.

# BHTS ZZ GR CG 350° (UCPA Serie)

## Pillow Block for Extreme Temperature



\* Dimensions available at PILLOW BLOCK HOUSINGS Pages

OPERATING RANGE: -50° / 350°C

ECONOMIC OPERATING RANGE: 250° / 350°C

Unit code	Bearing code	Housing code
UCPA 201 BHTS ZZ GR CG 350°	UC 201 BHTS ZZ GR CG 350°	PA 204 SS
UCPA 202 BHTS ZZ GR CG 350°	UC 202 BHTS ZZ GR CG 350°	PA 204 SS
UCPA 203 BHTS ZZ GR CG 350°	UC 203 BHTS ZZ GR CG 350°	PA 204 SS
UCPA 204 BHTS ZZ GR CG 350°	UC 204 BHTS ZZ GR CG 350°	PA 204 SS
UCPA 205 BHTS ZZ GR CG 350°	UC 205 BHTS ZZ GR CG 350°	PA 205 SS
UCPA 206 BHTS ZZ GR CG 350°	UC 206 BHTS ZZ GR CG 350°	PA 206 SS
UCPA 207 BHTS ZZ GR CG 350°	UC 207 BHTS ZZ GR CG 350°	PA 207 SS
UCPA 208 BHTS ZZ GR CG 350°	UC 208 BHTS ZZ GR CG 350°	PA 208 SS
UCPA 209 BHTS ZZ GR CG 350°	UC 209 BHTS ZZ GR CG 350°	PA 209 SS
UCPA 210 BHTS ZZ GR CG 350°	UC 210 BHTS ZZ GR CG 350°	PA 210 SS

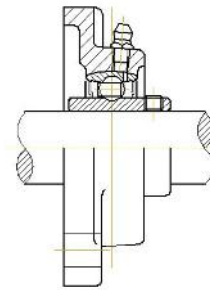
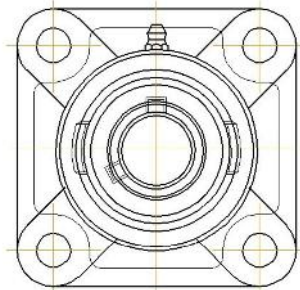
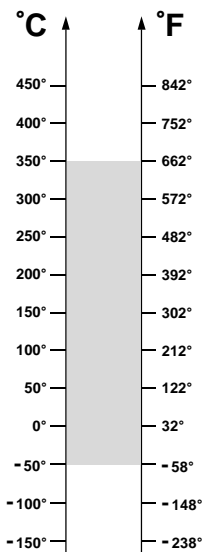
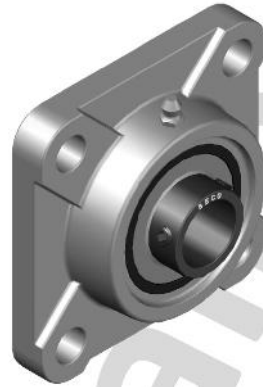
**OPERATING RANGE** is the correct technical range in which can be used the bearing with good operating result.

**ECONOMIC OPERATING RANGE** is the range of temperature in which you can find, according to our study experience and know-how, the better relation price - quality life-time.



# BHTS ZZ GR CG 350° (UCF Serie)

## Pillow Block for Extreme Temperature



\* Dimensions available at PILLOW BLOCK HOUSINGS Pages

OPERATING RANGE: -50° / 350°C

ECONOMIC OPERATING RANGE: 250° / 350°C

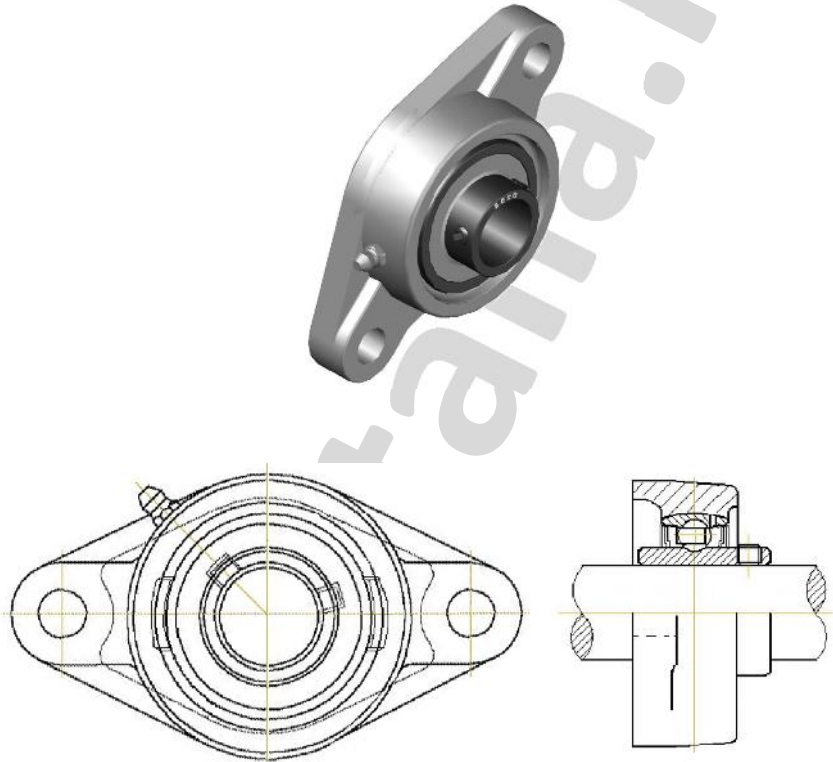
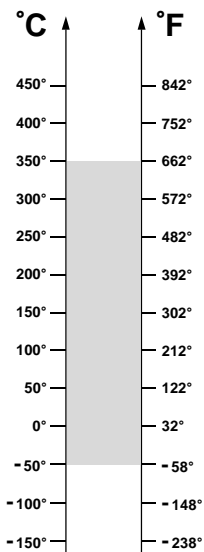
Unit code	Bearing code	Housing code
UCF 201 BHTS ZZ GR CG 350°	UC 201 BHTS ZZ GR CG 350°	F 204 SS
UCF 202 BHTS ZZ GR CG 350°	UC 202 BHTS ZZ GR CG 350°	F 204 SS
UCF 203 BHTS ZZ GR CG 350°	UC 203 BHTS ZZ GR CG 350°	F 204 SS
UCF 204 BHTS ZZ GR CG 350°	UC 204 BHTS ZZ GR CG 350°	F 204 SS
UCF 205 BHTS ZZ GR CG 350°	UC 205 BHTS ZZ GR CG 350°	F 205 SS
UCF 206 BHTS ZZ GR CG 350°	UC 206 BHTS ZZ GR CG 350°	F 206 SS
UCF 207 BHTS ZZ GR CG 350°	UC 207 BHTS ZZ GR CG 350°	F 207 SS
UCF 208 BHTS ZZ GR CG 350°	UC 208 BHTS ZZ GR CG 350°	F 208 SS
UCF 209 BHTS ZZ GR CG 350°	UC 209 BHTS ZZ GR CG 350°	F 209 SS
UCF 210 BHTS ZZ GR CG 350°	UC 210 BHTS ZZ GR CG 350°	F 210 SS
UCF 211 BHTS ZZ GR CG 350°	UC 211 BHTS ZZ GR CG 350°	F 211 SS
UCF 212 BHTS ZZ GR CG 350°	UC 212 BHTS ZZ GR CG 350°	F 212 SS
UCF 213 BHTS ZZ GR CG 350°	UC 213 BHTS ZZ GR CG 350°	F 213 SS
UCF 214 BHTS ZZ GR CG 350°	UC 214 BHTS ZZ GR CG 350°	F 214 SS
UCF 215 BHTS ZZ GR CG 350°	UC 215 BHTS ZZ GR CG 350°	F 215 SS

**OPERATING RANGE** is the correct technical range in which can be used the bearing with good operating result.

**ECONOMIC OPERATING RANGE** is the range of temperature in which you can find, according to our study experience and know-how, the better relation price - quality life-time.

# BHTS ZZ GR CG 350° (UCFL Serie)

## Pillow Block for Extreme Temperature



\* Dimensions available at PILLOW BLOCK HOUSINGS Pages

OPERATING RANGE: -50° / 350°C

ECONOMIC OPERATING RANGE: 250° / 350°C

Unit code	Bearing code	Housing code
UCFL 201 BHTS ZZ GR CG 350°	UC 201 BHTS ZZ GR CG 350°	FL 204 SS
UCFL 202 BHTS ZZ GR CG 350°	UC 202 BHTS ZZ GR CG 350°	FL 204 SS
UCFL 203 BHTS ZZ GR CG 350°	UC 203 BHTS ZZ GR CG 350°	FL 204 SS
UCFL 204 BHTS ZZ GR CG 350°	UC 204 BHTS ZZ GR CG 350°	FL 204 SS
UCFL 205 BHTS ZZ GR CG 350°	UC 205 BHTS ZZ GR CG 350°	FL 205 SS
UCFL 206 BHTS ZZ GR CG 350°	UC 206 BHTS ZZ GR CG 350°	FL 206 SS
UCFL 207 BHTS ZZ GR CG 350°	UC 207 BHTS ZZ GR CG 350°	FL 207 SS
UCFL 208 BHTS ZZ GR CG 350°	UC 208 BHTS ZZ GR CG 350°	FL 208 SS
UCFL 209 BHTS ZZ GR CG 350°	UC 209 BHTS ZZ GR CG 350°	FL 209 SS
UCFL 210 BHTS ZZ GR CG 350°	UC 210 BHTS ZZ GR CG 350°	FL 210 SS
UCFL 211 BHTS ZZ GR CG 350°	UC 211 BHTS ZZ GR CG 350°	FL 211 SS
UCFL 212 BHTS ZZ GR CG 350°	UC 212 BHTS ZZ GR CG 350°	FL 212 SS

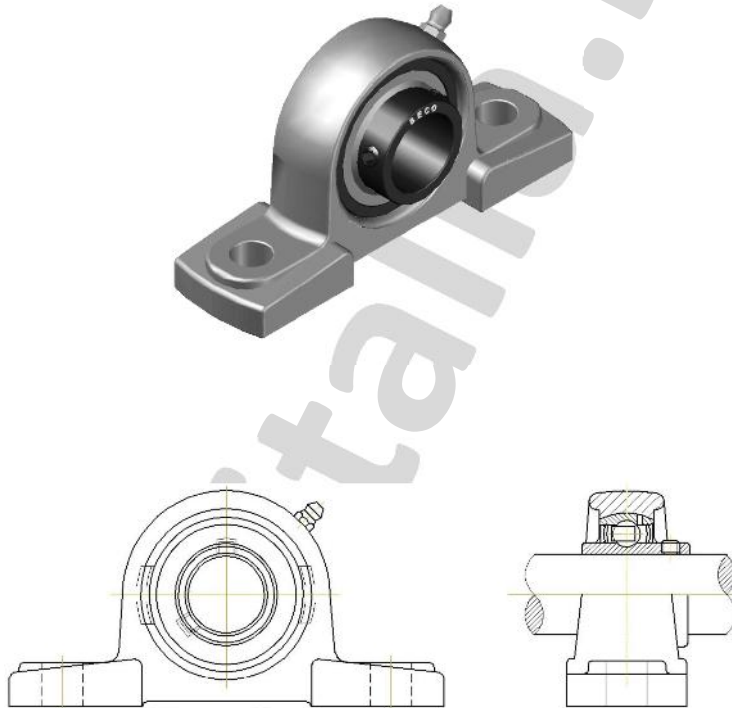
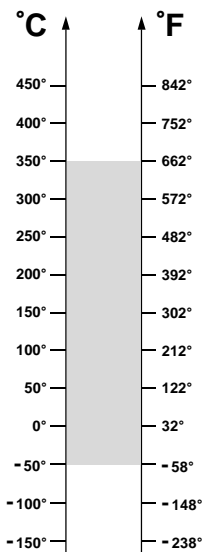
**OPERATING RANGE** is the correct technical range in which can be used the bearing with good operating result.

**ECONOMIC OPERATING RANGE** is the range of temperature in which you can find, according to our study experience and know-how, the better relation price - quality life-time.



# BHTS ZZ GR CG 350° (UCP Serie)

## Pillow Block for Extreme Temperature



\* Dimensions available at PILLOW BLOCK HOUSINGS Pages

OPERATING RANGE: -50° / 350°C

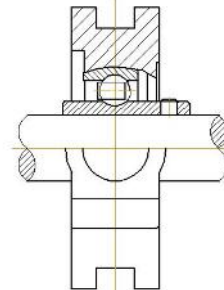
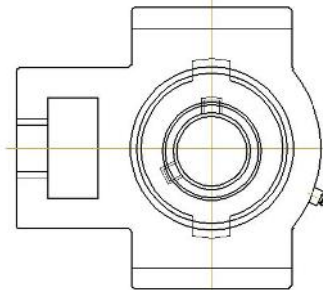
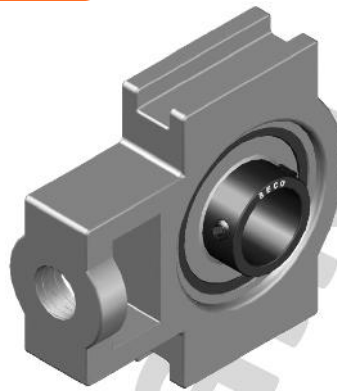
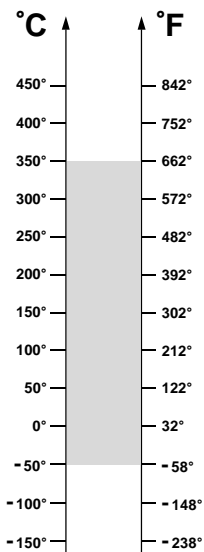
ECONOMIC OPERATING RANGE: 250° / 350°C

Unit code	Bearing code	Housing code
UCP 201 BHTS ZZ GR CG 350°	UC 201 BHTS ZZ GR CG 350°	P 204 SS
UCP 202 BHTS ZZ GR CG 350°	UC 202 BHTS ZZ GR CG 350°	P 204 SS
UCP 203 BHTS ZZ GR CG 350°	UC 203 BHTS ZZ GR CG 350°	P 204 SS
UCP 204 BHTS ZZ GR CG 350°	UC 204 BHTS ZZ GR CG 350°	P 204 SS
UCP 205 BHTS ZZ GR CG 350°	UC 205 BHTS ZZ GR CG 350°	P 205 SS
UCP 206 BHTS ZZ GR CG 350°	UC 206 BHTS ZZ GR CG 350°	P 206 SS
UCP 207 BHTS ZZ GR CG 350°	UC 207 BHTS ZZ GR CG 350°	P 207 SS
UCP 208 BHTS ZZ GR CG 350°	UC 208 BHTS ZZ GR CG 350°	P 208 SS
UCP 209 BHTS ZZ GR CG 350°	UC 209 BHTS ZZ GR CG 350°	P 209 SS
UCP 210 BHTS ZZ GR CG 350°	UC 210 BHTS ZZ GR CG 350°	P 210 SS
UCP 211 BHTS ZZ GR CG 350°	UC 211 BHTS ZZ GR CG 350°	P 211 SS
UCP 212 BHTS ZZ GR CG 350°	UC 212 BHTS ZZ GR CG 350°	P 212 SS
UCP 213 BHTS ZZ GR CG 350°	UC 213 BHTS ZZ GR CG 350°	P 213 SS
UCP 214 BHTS ZZ GR CG 350°	UC 214 BHTS ZZ GR CG 350°	P 214 SS
UCP 215 BHTS ZZ GR CG 350°	UC 215 BHTS ZZ GR CG 350°	P 215 SS

**OPERATING RANGE** is the correct technical range in which can be used the bearing with good operating result.  
**ECONOMIC OPERATING RANGE** is the range of temperature in which you can find, according to our study experience and know-how, the better relation price - quality life-time.

# BHTS ZZ GR CG 350° (UCT Serie)

## Pillow Block for Extreme Temperature



\* Dimensions available at PILLOW BLOCK HOUSINGS Pages

OPERATING RANGE: -50° / 350°C

ECONOMIC OPERATING RANGE: 250° / 350°C

Unit code	Bearing code	Housing code
UCT 201 BHTS ZZ GR CG 350°	UC 201 BHTS ZZ GR CG 350°	T 204 SS
UCT 202 BHTS ZZ GR CG 350°	UC 202 BHTS ZZ GR CG 350°	T 204 SS
UCT 203 BHTS ZZ GR CG 350°	UC 203 BHTS ZZ GR CG 350°	T 204 SS
UCT 204 BHTS ZZ GR CG 350°	UC 204 BHTS ZZ GR CG 350°	T 204 SS
UCT 205 BHTS ZZ GR CG 350°	UC 205 BHTS ZZ GR CG 350°	T 205 SS
UCT 206 BHTS ZZ GR CG 350°	UC 206 BHTS ZZ GR CG 350°	T 206 SS
UCT 207 BHTS ZZ GR CG 350°	UC 207 BHTS ZZ GR CG 350°	T 207 SS
UCT 208 BHTS ZZ GR CG 350°	UC 208 BHTS ZZ GR CG 350°	T 208 SS
UCT 209 BHTS ZZ GR CG 350°	UC 209 BHTS ZZ GR CG 350°	T 209 SS
UCT 210 BHTS ZZ GR CG 350°	UC 210 BHTS ZZ GR CG 350°	T 210 SS
UCT 211 BHTS ZZ GR CG 350°	UC 211 BHTS ZZ GR CG 350°	T 211 SS
UCT 212 BHTS ZZ GR CG 350°	UC 212 BHTS ZZ GR CG 350°	T 212 SS

**OPERATING RANGE** is the correct technical range in which can be used the bearing with good operating result.

**ECONOMIC OPERATING RANGE** is the range of temperature in which you can find, according to our study experience and know-how, the better relation price - quality life-time.