



BHTS 2RS VT 250°-280°

Ball Bearings for High Temperature

The BHTS 2RS VT 250°-280° ball bearings are designed on the dimensions of a standard bearing but with treatments of stabilization, surface treatment, radial clearance, greases and special Viton seals, which make them suitable for operation from -40°C to between +250° and +280°C. Their recommended range of application is between +180° and +250°C. The dual display of 250°- 280°C was designed to clearly indicate that the bearing is effectively a bearing for 280°C, but the Viton seals have a reduction of duration in excess of 250°C for which the bearing achieves its best performance in the above-mentioned range of 180° to 250°C. Below 220°C, there are the BHTS 2RS C4 VT 220° available, which are cheaper and also allow a much higher rotational speed. The range of the BHTS 2RS VT 250°-280° is replacing the BHTS ZZ 280°, which presents the same functional, structural characteristics, but with levels of protection against weather conditions significantly lower. The Viton characteristics are ideal in resisting many types of acids, however the BHTS 2RS VT 250°-280° is designed exclusively for applications in high temperatures.

It can not resist acid environment. Therefore, for the extreme applications, as high temperature and the presence of acids we have a customized solution high temperature stainless steel bearing available with Viton seals.

Technical characteristics:

Bearing material: steel AISI 52100 (Chrome) stabilized to the application
Treatment of manganese phosphate coating on all steel parts of the bearing
Radial Clearance 4xC5
Seals 2RS Viton
Lubricated with PTFE based on silicone free grease for temperatures up to 280°C
(with a drop point above 400°C)

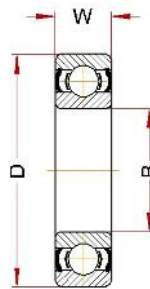
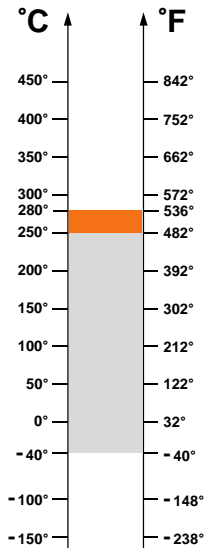
Fields of application:

Paint Ovens
Steel industry
Furnaces for Ceramic Industry
Trolley Industry, Trolley for Brick Kilns Industry



BHTS 2RS VT 250°-280° (6000 Serie)

Ball Bearings for High Temperature



OPERATING RANGE: -40° / 250°C

ECONOMIC OPERATING RANGE: 180° / 250°C

SHORT-TIME OPERATING RANGE: 250° / 280°C

Designation	Bore (B)	Diam (D)	Width (W)	Weight, g	Limiting Speed, RPM	Static Load, kN at 280°C	Static Load, kN at 20°C
6000 BHTS 2RS VT 250°-280°	10	26	8	20	2240	1,40	1,96
6001 BHTS 2RS VT 250°-280°	12	28	8	25	2080	1,69	2,36
6002 BHTS 2RS VT 250°-280°	15	32	9	30	1920	2,04	2,85
6003 BHTS 2RS VT 250°-280°	17	35	10	40	1760	2,33	3,25
6004 BHTS 2RS VT 250°-280°	20	42	12	69	1600	3,58	5,00
6005 BHTS 2RS VT 250°-280°	25	47	12	80	1360	4,18	5,85
6006 BHTS 2RS VT 250°-280°	30	55	13	120	1040	5,72	8,00
6007 BHTS 2RS VT 250°-280°	35	62	14	160	880	7,43	10,4
6008 BHTS 2RS VT 250°-280°	40	68	15	190	800	8,43	11,8
6009 BHTS 2RS VT 250°-280°	45	75	16	250	720	10,22	14,3
6010 BHTS 2RS VT 250°-280°	50	80	16	260	680	11,14	15,6
6011 BHTS 2RS VT 250°-280°	55	90	18	390	600	15,14	21,2
6012 BHTS 2RS VT 250°-280°	60	95	18	420	560	16,57	23,2
6013 BHTS 2RS VT 250°-280°	65	100	18	440	504	17,86	25,0
6014 BHTS 2RS VT 250°-280°	70	110	20	600	480	22,50	31,5
6015 BHTS 2RS VT 250°-280°	75	115	20	640	448	24,29	34,0
6016 BHTS 2RS VT 250°-280°	80	125	22	850	400	28,57	40,0
6017 BHTS 2RS VT 250°-280°	85	130	22	890	380	30,64	42,9
6018 BHTS 2RS VT 250°-280°	90	140	24	1150	360	35,64	49,9
6019 BHTS 2RS VT 250°-280°	95	145	24	1200	340	38,53	53,9
6020 BHTS 2RS VT 250°-280°	100	150	24	1250	300	38,53	53,9

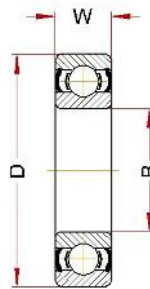
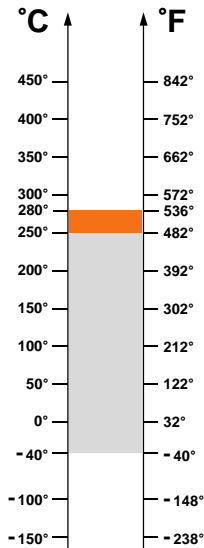
OPERATING RANGE is the correct technical range in which can be used the bearing with good operating result.

ECONOMIC OPERATING RANGE is the range of temperature in which you can find, according to our study experience and know-how, the better relation price - quality life-time.

SHORT-TIME OPERATING RANGE is the range in which the bearing can be used for few minutes but not for permanent use.

BHTS 2RS VT 250°-280° (6200 Serie)

Ball Bearings for High Temperature



OPERATING RANGE: -40° / 250°C

ECONOMIC OPERATING RANGE: 180° / 250°C

SHORT-TIME OPERATING RANGE: 250° / 280°C

Designation	Bore (B)	Diam (D)	Width (W)	Weight, g	Limiting Speed, RPM	Static Load, kN at 280°C	Static Load, kN at 20°C
6200 BHTS 2RS VT 250°-280°	10	30	9	30	2080	1,86	2,60
6201 BHTS 2RS VT 250°-280°	12	32	10	37	1920	2,22	3,10
6202 BHTS 2RS VT 250°-280°	15	35	11	45	1600	2,68	3,75
6203 BHTS 2RS VT 250°-280°	17	40	12	65	1440	3,39	4,75
6204 BHTS 2RS VT 250°-280°	20	47	14	110	1200	4,68	6,55
6205 BHTS 2RS VT 250°-280°	25	52	15	130	1120	5,71	8,00
6206 BHTS 2RS VT 250°-280°	30	62	16	200	880	8,00	11,2
6207 BHTS 2RS VT 250°-280°	35	72	17	290	760	10,93	15,3
6208 BHTS 2RS VT 250°-280°	40	80	18	370	680	12,86	18,0
6209 BHTS 2RS VT 250°-280°	45	85	19	410	640	14,57	20,4
6210 BHTS 2RS VT 250°-280°	50	90	20	460	600	17,14	24,0
6211 BHTS 2RS VT 250°-280°	55	100	21	610	536	20,71	29,0
6212 BHTS 2RS VT 250°-280°	60	110	22	780	480	25,71	36,0
6213 BHTS 2RS VT 250°-280°	65	120	23	990	424	29,64	41,5
6214 BHTS 2RS VT 250°-280°	70	125	24	1040	400	31,43	44,0
6215 BHTS 2RS VT 250°-280°	75	130	25	1210	384	35,00	49,0
6216 BHTS 2RS VT 250°-280°	80	140	26	1400	350	39,29	55,0
6217 BHTS 2RS VT 250°-280°	85	150	28	1800	330	45,72	64,0
6218 BHTS 2RS VT 250°-280°	90	160	30	2150	310	52,50	73,5
6219 BHTS 2RS VT 250°-280°	95	170	32	2600	300	58,21	81,5
6220 BHTS 2RS VT 250°-280°	100	180	34	3150	290	66,43	93,0

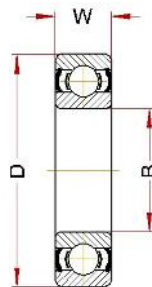
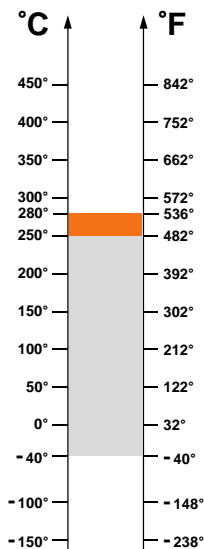
OPERATING RANGE is the correct technical range in which can be used the bearing with good operating result.

ECONOMIC OPERATING RANGE is the range of temperature in which you can find, according to our study experience and know-how, the better relation price - quality life-time.

SHORT-TIME OPERATING RANGE is the range in which the bearing can be used for few minutes but not for permanent use.

BHTS 2RS VT 250°-280° (6300 Serie)

Ball Bearings for High Temperature



OPERATING RANGE: -40° / 250°C

ECONOMIC OPERATING RANGE: 180° / 250°C

SHORT-TIME OPERATING RANGE: 250° / 280°C

Designation	Bore (B)	Diam (D)	Width (W)	Weight, g	Limiting Speed, RPM	Static Load, kN at 280°C	Static Load, kN at 20°C
6300 BHTS 2RS VT 250°-280°	10	35	11	52	1760	2,46	3,45
6301 BHTS 2RS VT 250°-280°	12	37	12	60	1600	2,96	4,15
6302 BHTS 2RS VT 250°-280°	15	42	13	80	1440	3,86	5,40
6303 BHTS 2RS VT 250°-280°	17	47	14	120	1280	4,68	6,55
6304 BHTS 2RS VT 250°-280°	20	52	15	140	1120	6,07	8,50
6305 BHTS 2RS VT 250°-280°	25	62	17	225	880	8,14	11,4
6306 BHTS 2RS VT 250°-280°	30	72	19	350	760	11,64	16,3
6307 BHTS 2RS VT 250°-280°	35	80	21	450	680	13,57	19,0
6308 BHTS 2RS VT 250°-280°	40	90	23	620	600	17,86	25,0
6309 BHTS 2RS VT 250°-280°	45	100	25	830	536	22,86	32,0
6310 BHTS 2RS VT 250°-280°	50	110	27	1050	480	27,14	38,0
6311 BHTS 2RS VT 250°-280°	55	120	29	1350	424	33,93	47,5
6312 BHTS 2RS VT 250°-280°	60	130	31	1700	400	37,14	52,0
6313 BHTS 2RS VT 250°-280°	65	140	33	2100	360	42,86	60,0
6314 BHTS 2RS VT 250°-280°	70	150	35	2500	344	32,86	68,0
6315 BHTS 2RS VT 250°-280°	75	160	37	3000	320	54,64	76,5
6316 BHTS 2RS VT 250°-280°	80	170	39	3600	300	61,79	86,5
6317 BHTS 2RS VT 250°-280°	85	180	41	4250	290	68,93	96,5
6318 BHTS 2RS VT 250°-280°	90	190	43	4900	270	77,14	108
6319 BHTS 2RS VT 250°-280°	95	200	45	5650	250	84,29	118
6320 BHTS 2RS VT 250°-280°	100	215	47	7000	230	100,0	140

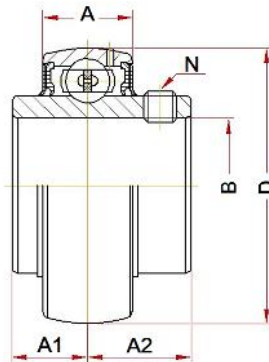
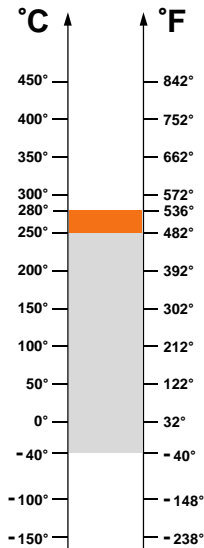
OPERATING RANGE is the correct technical range in which can be used the bearing with good operating result.

ECONOMIC OPERATING RANGE is the range of temperature in which you can find, according to our study experience and know-how, the better relation price - quality life-time.

SHORT-TIME OPERATING RANGE is the range in which the bearing can be used for few minutes but not for permanent use.

BHTS 2RS VT 250°-280° (UC Serie)

Insert Bearings for High Temperature



OPERATING RANGE: -40° / 250°C

ECONOMIC OPERATING RANGE: 180° / 250°C

SHORT-TIME OPERATING RANGE: 250° / 280°C

Designation	Bore (B)	Diam (D)	A	A1	A2	N	Weight, g	Limiting Speed, RPM	Static Load, kN at 280°C	Static Load, kN at 20°C
UC 201 BHTS 2RS VT 250°-280°	12	47	13 ± 2	11,5	15,9	M6x0,75	200	1440	4,72	6,6
UC 202 BHTS 2RS VT 250°-280°	15	47	13 ± 2	11,5	15,9	M6x0,75	200	1440	4,72	6,6
UC 203 BHTS 2RS VT 250°-280°	17	47	13 ± 2	11,5	15,9	M6x0,75	200	1440	4,72	6,6
UC 204 BHTS 2RS VT 250°-280°	20	47	15 ± 2	12,7	18,3	M6x0,75	250	1200	4,72	6,6
UC 205 BHTS 2RS VT 250°-280°	25	52	16 ± 1	14,3	19,8	M6x0,75	300	1120	5,58	7,8
UC 206 BHTS 2RS VT 250°-280°	30	62	17 ± 2	15,9	22,2	M6x0,75	350	880	8,00	11,2
UC 207 BHTS 2RS VT 250°-280°	35	72	18 ± 2	17,5	25,4	M8x1,00	500	760	10,7	15,1
UC 208 BHTS 2RS VT 250°-280°	40	80	19 ± 2	19,0	30,2	M8x1,00	700	680	13,0	18,2
UC 209 BHTS 2RS VT 250°-280°	45	85	20 ± 2	19,0	30,2	M8x1,00	800	640	14,7	20,6
UC 210 BHTS 2RS VT 250°-280°	50	90	22 ± 2	19,0	32,6	M10x1,25	900	600	16,5	23,1
UC 211 BHTS 2RS VT 250°-280°	55	100	23 ± 2	22,2	33,4	M10x1,25	1300	536	20,7	29,0
UC 212 BHTS 2RS VT 250°-280°	60	110	24 ± 3	25,4	39,7	M10x1,25	1700	480	25,3	32,6
UC 213 BHTS 2RS VT 250°-280°	65	120	27 ± 5	25,4	39,7	M10x1,25	1900	424	28,4	39,8
UC 214 BHTS 2RS VT 250°-280°	70	125	28 ± 5	30,2	44,4	M12x1,50	2100	400	31,9	44,7
UC 215 BHTS 2RS VT 250°-280°	75	130	29 ± 5	33,3	44,5	M12x1,50	2200	384	35,1	49,2

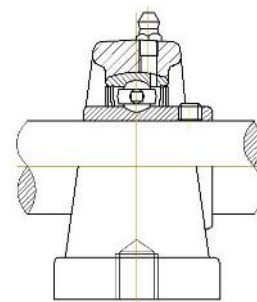
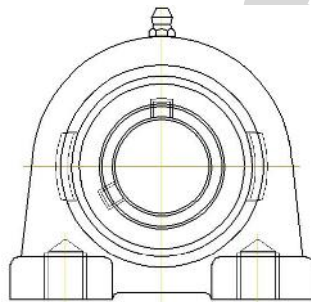
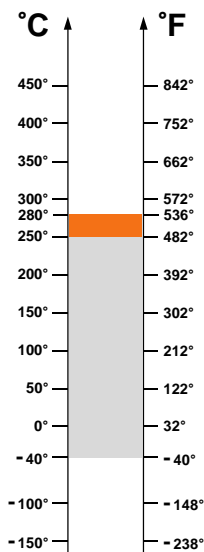
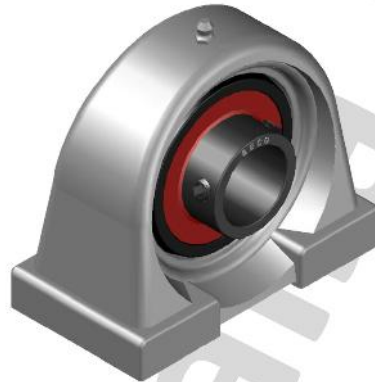
OPERATING RANGE is the correct technical range in which can be used the bearing with good operating result.

ECONOMIC OPERATING RANGE is the range of temperature in which you can find, according to our study experience and know-how, the better relation price - quality life-time.

SHORT-TIME OPERATING RANGE is the range in which the bearing can be used for few minutes but not for permanent use.

BHTS 2RS VT 250°-280° (UCPA Serie)

Pillow Block for High Temperature



* Dimensions available at PILLOW BLOCK HOUSINGS Pages

OPERATING RANGE: -40° / 250°C

ECONOMIC OPERATING RANGE: 180° / 250°C

SHORT-TIME OPERATING RANGE: 250° / 280°C

Unit code	Bearing code	Housing code
UCPA 201 BHTS 2RS VT 250°-280°	UC 201 BHTS 2RS VT 250°-280°	PA 204 SS
UCPA 202 BHTS 2RS VT 250°-280°	UC 202 BHTS 2RS VT 250°-280°	PA 204 SS
UCPA 203 BHTS 2RS VT 250°-280°	UC 203 BHTS 2RS VT 250°-280°	PA 204 SS
UCPA 204 BHTS 2RS VT 250°-280°	UC 204 BHTS 2RS VT 250°-280°	PA 204 SS
UCPA 205 BHTS 2RS VT 250°-280°	UC 205 BHTS 2RS VT 250°-280°	PA 205 SS
UCPA 206 BHTS 2RS VT 250°-280°	UC 206 BHTS 2RS VT 250°-280°	PA 206 SS
UCPA 207 BHTS 2RS VT 250°-280°	UC 207 BHTS 2RS VT 250°-280°	PA 207 SS
UCPA 208 BHTS 2RS VT 250°-280°	UC 208 BHTS 2RS VT 250°-280°	PA 208 SS
UCPA 209 BHTS 2RS VT 250°-280°	UC 209 BHTS 2RS VT 250°-280°	PA 209 SS
UCPA 210 BHTS 2RS VT 250°-280°	UC 210 BHTS 2RS VT 250°-280°	PA 210 SS

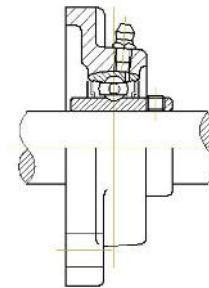
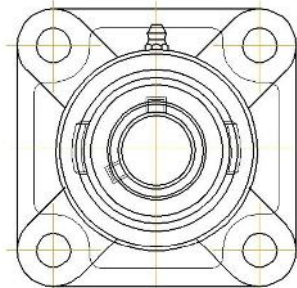
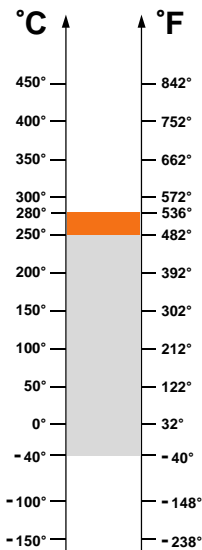
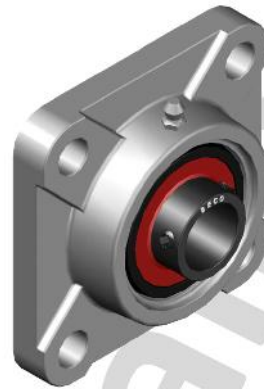
OPERATING RANGE is the correct technical range in which can be used the bearing with good operating result.

ECONOMIC OPERATING RANGE is the range of temperature in which you can find, according to our study experience and know-how, the better relation price - quality life-time.

SHORT-TIME OPERATING RANGE is the range in which the bearing can be used for few minutes but not for permanent use.

BHTS 2RS VT 250°-280° (UCF Serie)

Pillow Block for High Temperature



* Dimensions available at PILLOW BLOCK HOUSINGS Pages

OPERATING RANGE: -40° / 250°C

ECONOMIC OPERATING RANGE: 180° / 250°C

SHORT-TIME OPERATING RANGE: 250° / 280°C

Unit code	Bearing code	Housing code
UCF 201 BHTS 2RS VT 250°-280°	UC 201 BHTS 2RS VT 250°-280°	F 204 SS
UCF 202 BHTS 2RS VT 250°-280°	UC 202 BHTS 2RS VT 250°-280°	F 204 SS
UCF 203 BHTS 2RS VT 250°-280°	UC 203 BHTS 2RS VT 250°-280°	F 204 SS
UCF 204 BHTS 2RS VT 250°-280°	UC 204 BHTS 2RS VT 250°-280°	F 204 SS
UCF 205 BHTS 2RS VT 250°-280°	UC 205 BHTS 2RS VT 250°-280°	F 205 SS
UCF 206 BHTS 2RS VT 250°-280°	UC 206 BHTS 2RS VT 250°-280°	F 206 SS
UCF 207 BHTS 2RS VT 250°-280°	UC 207 BHTS 2RS VT 250°-280°	F 207 SS
UCF 208 BHTS 2RS VT 250°-280°	UC 208 BHTS 2RS VT 250°-280°	F 208 SS
UCF 209 BHTS 2RS VT 250°-280°	UC 209 BHTS 2RS VT 250°-280°	F 209 SS
UCF 210 BHTS 2RS VT 250°-280°	UC 210 BHTS 2RS VT 250°-280°	F 210 SS
UCF 211 BHTS 2RS VT 250°-280°	UC 211 BHTS 2RS VT 250°-280°	F 211 SS
UCF 212 BHTS 2RS VT 250°-280°	UC 212 BHTS 2RS VT 250°-280°	F 212 SS
UCF 213 BHTS 2RS VT 250°-280°	UC 213 BHTS 2RS VT 250°-280°	F 213 SS
UCF 214 BHTS 2RS VT 250°-280°	UC 214 BHTS 2RS VT 250°-280°	F 214 SS
UCF 215 BHTS 2RS VT 250°-280°	UC 215 BHTS 2RS VT 250°-280°	F 215 SS

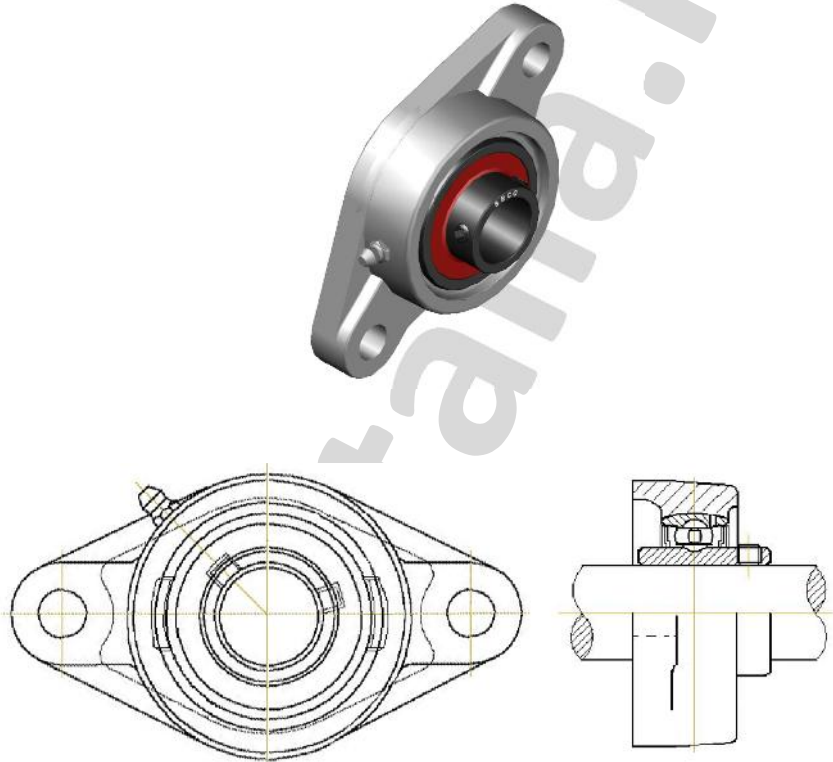
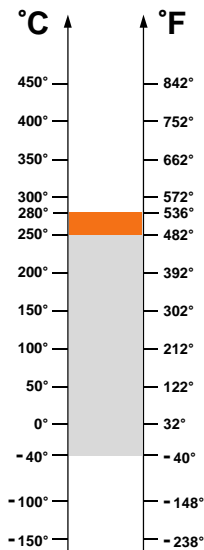
OPERATING RANGE is the correct technical range in which can be used the bearing with good operating result.

ECONOMIC OPERATING RANGE is the range of temperature in which you can find, according to our study experience and know-how, the better relation price - quality life-time.

SHORT-TIME OPERATING RANGE is the range in which the bearing can be used for few minutes but not for permanent use.

BHTS 2RS VT 250°-280° (UCFL Serie)

Pillow Block for High Temperature



* Dimensions available at PILLOW BLOCK HOUSINGS Pages

OPERATING RANGE: -40° / 250°C

ECONOMIC OPERATING RANGE: 180° / 250°C

SHORT-TIME OPERATING RANGE: 250° / 280°C

Unit code	Bearing code	Housing code
UCFL 201 BHTS 2RS VT 250°-280°	UC 201 BHTS 2RS VT 250°-280°	FL 204 SS
UCFL 202 BHTS 2RS VT 250°-280°	UC 202 BHTS 2RS VT 250°-280°	FL 204 SS
UCFL 203 BHTS 2RS VT 250°-280°	UC 203 BHTS 2RS VT 250°-280°	FL 204 SS
UCFL 204 BHTS 2RS VT 250°-280°	UC 204 BHTS 2RS VT 250°-280°	FL 204 SS
UCFL 205 BHTS 2RS VT 250°-280°	UC 205 BHTS 2RS VT 250°-280°	FL 205 SS
UCFL 206 BHTS 2RS VT 250°-280°	UC 206 BHTS 2RS VT 250°-280°	FL 206 SS
UCFL 207 BHTS 2RS VT 250°-280°	UC 207 BHTS 2RS VT 250°-280°	FL 207 SS
UCFL 208 BHTS 2RS VT 250°-280°	UC 208 BHTS 2RS VT 250°-280°	FL 208 SS
UCFL 209 BHTS 2RS VT 250°-280°	UC 209 BHTS 2RS VT 250°-280°	FL 209 SS
UCFL 210 BHTS 2RS VT 250°-280°	UC 210 BHTS 2RS VT 250°-280°	FL 210 SS
UCFL 211 BHTS 2RS VT 250°-280°	UC 211 BHTS 2RS VT 250°-280°	FL 211 SS
UCFL 212 BHTS 2RS VT 250°-280°	UC 212 BHTS 2RS VT 250°-280°	FL 212 SS

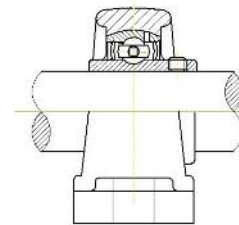
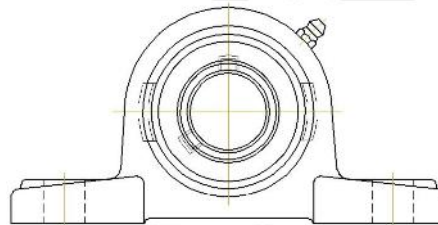
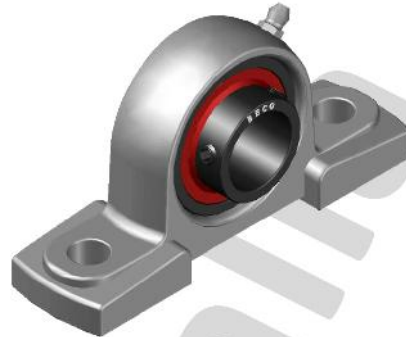
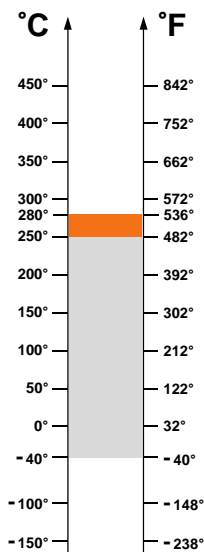
OPERATING RANGE is the correct technical range in which can be used the bearing with good operating result.

ECONOMIC OPERATING RANGE is the range of temperature in which you can find, according to our study experience and know-how, the better relation price - quality life-time.

SHORT-TIME OPERATING RANGE is the range in which the bearing can be used for few minutes but not for permanent use.

BHTS 2RS VT 250°-280° (UCP Serie)

Pillow Block for High Temperature



* Dimensions available at PILLOW BLOCK HOUSINGS Pages

OPERATING RANGE: -40° / 250°C

ECONOMIC OPERATING RANGE: 180° / 250°C

SHORT-TIME OPERATING RANGE: 250° / 280°C

Unit code	Bearing code	Housing code
UCP 201 BHTS 2RS VT 250°-280°	UC 201 BHTS 2RS VT 250°-280°	P 204 SS
UCP 202 BHTS 2RS VT 250°-280°	UC 202 BHTS 2RS VT 250°-280°	P 204 SS
UCP 203 BHTS 2RS VT 250°-280°	UC 203 BHTS 2RS VT 250°-280°	P 204 SS
UCP 204 BHTS 2RS VT 250°-280°	UC 204 BHTS 2RS VT 250°-280°	P 204 SS
UCP 205 BHTS 2RS VT 250°-280°	UC 205 BHTS 2RS VT 250°-280°	P 205 SS
UCP 206 BHTS 2RS VT 250°-280°	UC 206 BHTS 2RS VT 250°-280°	P 206 SS
UCP 207 BHTS 2RS VT 250°-280°	UC 207 BHTS 2RS VT 250°-280°	P 207 SS
UCP 208 BHTS 2RS VT 250°-280°	UC 208 BHTS 2RS VT 250°-280°	P 208 SS
UCP 209 BHTS 2RS VT 250°-280°	UC 209 BHTS 2RS VT 250°-280°	P 209 SS
UCP 210 BHTS 2RS VT 250°-280°	UC 210 BHTS 2RS VT 250°-280°	P 210 SS
UCP 211 BHTS 2RS VT 250°-280°	UC 211 BHTS 2RS VT 250°-280°	P 211 SS
UCP 212 BHTS 2RS VT 250°-280°	UC 212 BHTS 2RS VT 250°-280°	P 212 SS
UCP 213 BHTS 2RS VT 250°-280°	UC 213 BHTS 2RS VT 250°-280°	P 213 SS
UCP 214 BHTS 2RS VT 250°-280°	UC 214 BHTS 2RS VT 250°-280°	P 214 SS
UCP 215 BHTS 2RS VT 250°-280°	UC 215 BHTS 2RS VT 250°-280°	P 215 SS

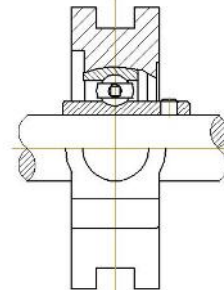
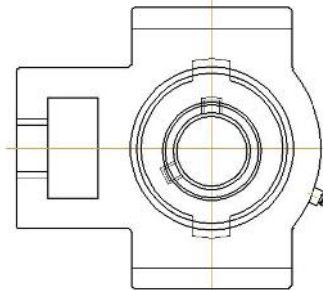
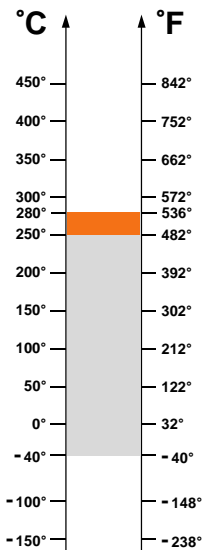
OPERATING RANGE is the correct technical range in which can be used the bearing with good operating result.

ECONOMIC OPERATING RANGE is the range of temperature in which you can find, according to our study experience and know-how, the better relation price - quality life-time.

SHORT-TIME OPERATING RANGE is the range in which the bearing can be used for few minutes but not for permanent use.

BHTS 2RS VT 250°-280° (UCT Serie)

Pillow Block for High Temperature



* Dimensions available at PILLOW BLOCK HOUSINGS Pages

OPERATING RANGE: -40° / 250°C

ECONOMIC OPERATING RANGE: 180° / 250°C

SHORT-TIME OPERATING RANGE: 250° / 280°C

Unit code	Bearing code	Housing code
UCT 201 BHTS 2RS VT 250°-280°	UC 201 BHTS 2RS VT 250°-280°	T 204 SS
UCT 202 BHTS 2RS VT 250°-280°	UC 202 BHTS 2RS VT 250°-280°	T 204 SS
UCT 203 BHTS 2RS VT 250°-280°	UC 203 BHTS 2RS VT 250°-280°	T 204 SS
UCT 204 BHTS 2RS VT 250°-280°	UC 204 BHTS 2RS VT 250°-280°	T 204 SS
UCT 205 BHTS 2RS VT 250°-280°	UC 205 BHTS 2RS VT 250°-280°	T 205 SS
UCT 206 BHTS 2RS VT 250°-280°	UC 206 BHTS 2RS VT 250°-280°	T 206 SS
UCT 207 BHTS 2RS VT 250°-280°	UC 207 BHTS 2RS VT 250°-280°	T 207 SS
UCT 208 BHTS 2RS VT 250°-280°	UC 208 BHTS 2RS VT 250°-280°	T 208 SS
UCT 209 BHTS 2RS VT 250°-280°	UC 209 BHTS 2RS VT 250°-280°	T 209 SS
UCT 210 BHTS 2RS VT 250°-280°	UC 210 BHTS 2RS VT 250°-280°	T 210 SS
UCT 211 BHTS 2RS VT 250°-280°	UC 211 BHTS 2RS VT 250°-280°	T 211 SS
UCT 212 BHTS 2RS VT 250°-280°	UC 212 BHTS 2RS VT 250°-280°	T 212 SS

OPERATING RANGE is the correct technical range in which can be used the bearing with good operating result.

ECONOMIC OPERATING RANGE is the range of temperature in which you can find, according to our study experience and know-how, the better relation price - quality life-time.

SHORT-TIME OPERATING RANGE is the range in which the bearing can be used for few minutes but not for permanent use.