

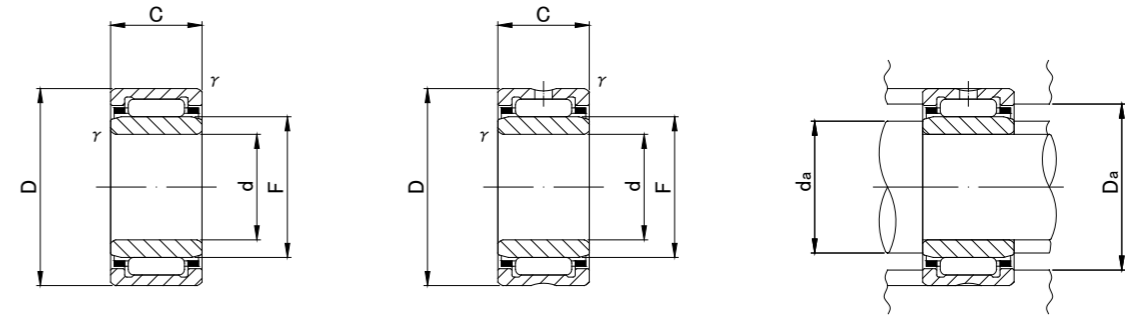
**MACHINED RING
NEEDLE ROLLER
BEARINGS
STAINLESS STEEL
WITH INNER RING**



SUS/INOX



NA49..M ,NKI..M



NKI..M(d ≤ 8)

NA49..M,NKI..M

NA49..M ,NKI..M TYPE

Shaft Diameter (mm)	Designation		Dimensions (mm)					Standard mounting dimensions (mm)			Basic dynamic load rating	Basic static load rating	Limiting speed *	Mass	Usable bearing designation	
	NA49..M	NKI..M	d	D	C	r's min	F	da		Da MAX	Cr N	Cor N	rpm	g (approx)	OUTER RING	INNER RING
								MIN	MAX							
5	NA495M	—	5	13	10	0.15	7	6.2	6.7	11.8	2 700	2 400	34 000	7.3	RNA495M	IR5710M
	—	NKI 5/12M	5 ⁰ _{-0.008}	15	12	0.3	8	7	7.7	13	4 600	4 300	32 000	11.9	NK8/12M	IR5812M
	—	NKI 5/16M	5	15	16	0.3	8	7	7.7	13	6 500	6 700	32 000	16.7	NK8/16M	IR5816M
6	NA496M	—	6	15	10	0.15	8	7.2	7.7	13.8	3 500	3 100	32 000	9.1	RNA496M	IR6810M
	—	NKI 6/12M	6 ⁰ _{-0.008}	16	12	0.3	9	8	8.7	14	5 000	4 800	30 000	13	NK9/12M	IR6912M
	—	NKI 6/16M	6	16	16	0.3	9	8	8.7	14	6 900	7 500	30 000	17.5	NK9/16M	IR6916M
7	NA497M	—	7	17	10	0.15	9	8.2	8.7	15.8	4 100	3 300	30 000	11.2	RNA497M	IR7910M
	—	NKI 7/12M	7 ⁰ _{-0.008}	17	12	0.3	10	9	9.7	15	5 400	5 500	28 000	14.3	NK10/12M	IR71012M
	—	NKI 7/16M	7	17	16	0.3	10	9	9.7	15	7 500	8 400	28 000	19.2	NK10/16M	IR71016M
8	NA498M	—	8 ⁰ _{-0.008}	19	11	0.2	10	9.2	9.7	17.4	5 700	4 600	28 000	15	RNA498M	IR81011M
9	—	NKI 9/12M	9	19	12	0.3	12	11	11.5	17	6 000	6 700	26 000	16.7	NK12/12M	IR91212M
	—	NKI 9/16M	9 ⁰ _{-0.008}	19	16	0.3	12	11	11.5	17	8 400	10 300	26 000	22.5	NK12/16M	IR91216M
	NA499M	—	9	20	11	0.3	12	11	11.5	18	6 000	5 700	26 000	16.7	RNA499M	IR91211M
10	NA4900M	—	10	22	13	0.3	14	12	13	20	8 400	9 200	24 000	24	RNA4900M	IR101413M
	—	NKI 10/16M	10 ⁰ _{-0.008}	22	16	0.3	14	12	13	20	10 800	12 600	24 000	30	NK14/16M	IR101416M
	—	NKI 10/20M	10	22	20	0.3	14	12	13	20	13 600	17 000	24 000	38	NK14/20M	IR101420M
12	NA4901M	—	12	24	13	0.3	16	14	15	22	8 900	10 200	23 000	26.5	RNA4901M	IR121613M
	—	NKI 12/16M	12 ⁰ _{-0.008}	24	16	0.3	16	14	15	22	11 300	13 800	23 000	33.5	NK16/16M	IR121616M
	—	NKI 12/20M	12	24	20	0.3	16	14	15	22	14 300	18 700	23 000	42.5	NK16/20M	IR121620M
15	—	NKI 15/16M	15	27	16	0.3	19	17	18	25	12 800	17 200	21 000	39.5	NK19/16M	IR151916M
	—	NKI 15/20M	15 ⁰ _{-0.008}	27	20	0.3	19	17	18	25	16 200	23 200	21 000	50	NK19/20M	IR151920M
	NA4902M	—	15	28	13	0.3	20	17	19	26	10 000	12 600	20 000	35	RNA4902M	IR152013M
17	NA4903M	—	17 ⁰ _{-0.008}	30	13	0.3	22	19	21	28	10 800	14 300	18 000	39	RNA4903M	IR172213M
20	NA4904M	—	20 ⁰ _{-0.010}	37	17	0.3	25	22	24	35	19 300	23 000	16 000	78.5	RNA4904M	IR202517M
25	NA4905M	—	25 ⁰ _{-0.010}	42	17	0.3	30	27	29	40	21 800	28 200	13 000	92.5	RNA4905M	IR253017M

* Suitable for oil lubrication. In case of grease lubrication, down to 60% of this value.